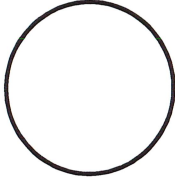


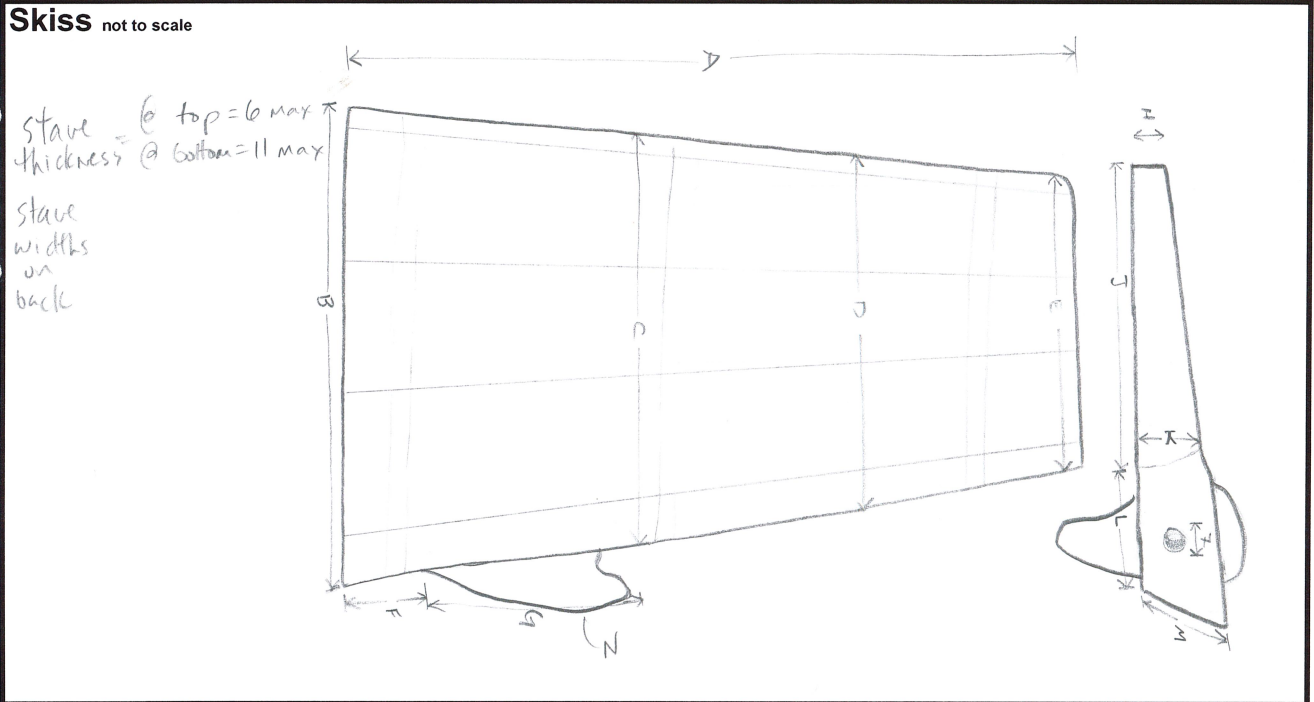
# Vasa husgeråd

<b>Föremål</b>	<b>Fyndnummer</b>
STÄNKKA <small>mostly complete</small>	18256

Dokumenterad av S. GARRANA	Datum 3 DEC 2010
-------------------------------	---------------------

<b>Fyndplats/location</b> confirmed w/fyndliggare <input checked="" type="checkbox"/>	<b>Fynd datum</b>
Däck/deck TD	Sida/side SB
Balk/beam 9-10	Länd från för 1603-1754

<b>Material</b>	
Träslag/wood type FURU? lid is EK?	Conversion lid + bottom = radial staves likely radial too but very peg'd!
Fiberriktning/grain	



<b>A</b> 246	<b>B</b> d= 165	<b>C</b> C=449 d=143	<b>D</b> d=120	<b>E</b> 105 MAX-VARES	<b>F</b> 33	<b>G</b> 82	<b>H</b> 11	<b>J</b> 99
<b>K</b> 18	<b>L</b> 46	<b>M</b> 23	<b>N</b> handle thickness 13	<b>P</b>	<b>Q</b>	<b>R</b> inside length 219	<b>S</b> inside diameter @ top=94 @ bottom=141	<b>T</b> VOLUME 2406.4 cm <sup>3</sup>

<b>Bomärke</b> Ja <input type="checkbox"/> Nej <input checked="" type="checkbox"/>	<b>Verktygsspor</b> Ja <input type="checkbox"/> Nej <input checked="" type="checkbox"/> <small>nestible-smooth</small>	<b>Dekoration</b> Ja <input type="checkbox"/> Nej <input checked="" type="checkbox"/>	<b>Täcklager</b> Ja <input type="checkbox"/> ? Nej <input type="checkbox"/>
LOCATION:	LOCATION:	LOCATION:	LOCATION:

**Conservering** heavy peg. SALT-??

**Relaterade fynd/related finds**

18257	18261
18258	18262
18259	18263
18260	

7 sked found inside!

**Kommentar/comments**

octagonal wooden staved vessel w/ 3 withes.  
8 staves plus handle stave.  
with handle and hinged lid.  
middle part of handle missing.

According to excavation photo found w/o withes + with handle!

confirmed w/MarketStore

also, looks like staves are in different order! 1.04719

(4970.25 + 2209 + 3313.5) MS image - ✓  
1/2 (10492.25) 2406367.580

Stave widths:

top	7	37	39	41	44	41	34	40	39
bottom	14	59	58	68	69	66	62	67	63
handle									

moving counter @ from handle stave