

Vasa föremål

Föremål

Fyndnummer

Dokumenterad av
FH

Datum
02 APR 2012

VERK FAT

17958

Fyndplats/location

Däck/deck

0110P

Sida/side

starboard

Balk/beam

Z1

Kanonport/gunport

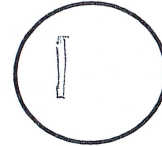
Material

Träslag/wood type

OAK

Conversion

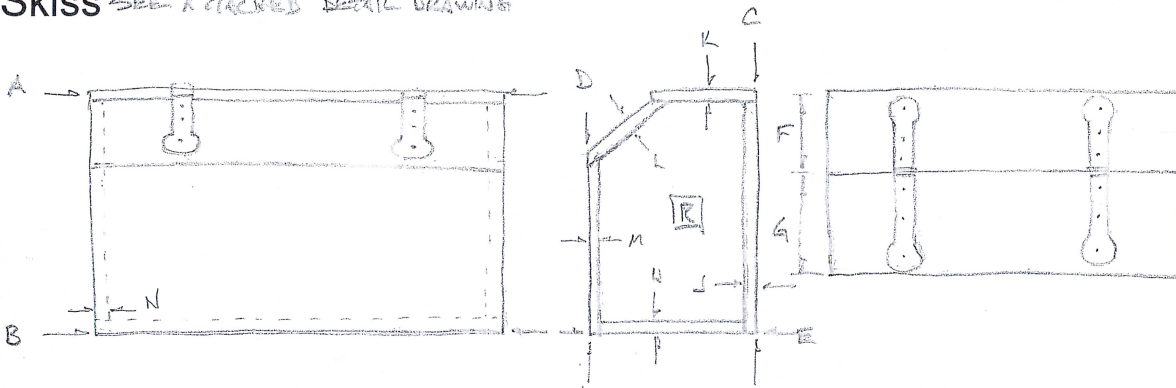
ALL BOARDS
TANGENTIALLY
CONVERTED



Fiberriktning/grain

STRAIGHT

Skiss SEE ATTACHED DETAIL DRAWING



Dimensioner (mm)

A 1007	B ^{1005 Front} 985 Back	C 531	D 320±	E 428 L 407 R	F 251 (at hinges)	G & hinges 238 L 224 R	H 26	J 19
K 22	L 22	M 19	N 24	P	Q	R	S	T

Skador/damage R end missing, top, front, lid + L end all eroded, split Bottom + back in much better condition. Iron-impregnated wood preserve near original dimensions. New iron hinges. RIGHT END of long boards near full thickness, LEFT ENDS eroded

Kommentar/comments

Association

Andra delar/other parts 17958 is lid + hardware, other parts are (as now marked!):

17959 - front

18098 - top

18064 - back upper

18065 - back lower

OTHER NUMBERS associated (loose bags, etc.)

17963 (left end)

17962 (right end, missing)

17961

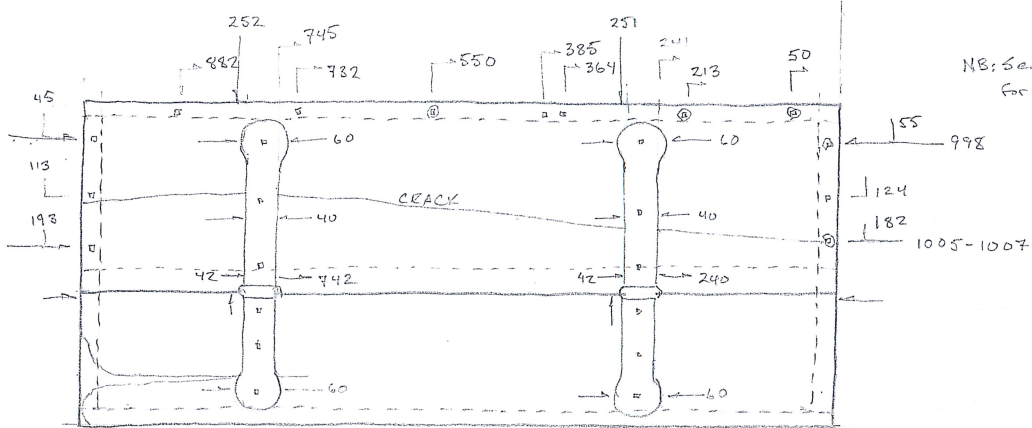
17964

Furs do not include excavation record!

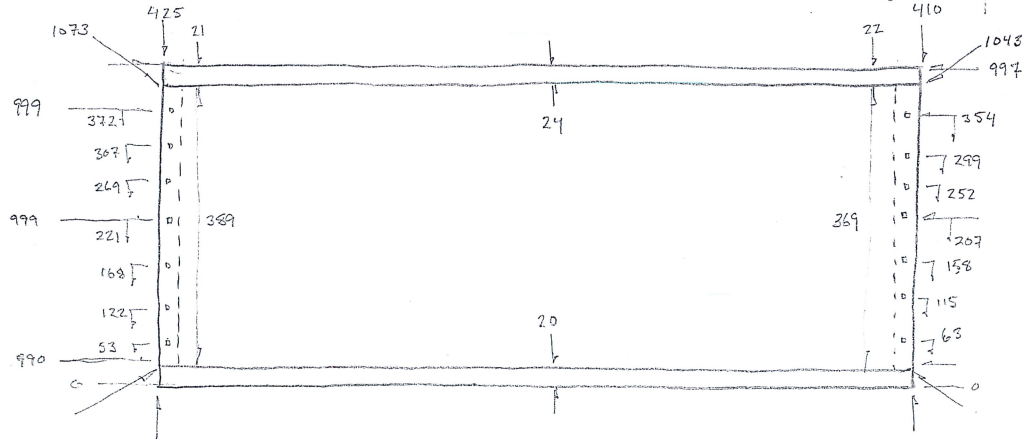
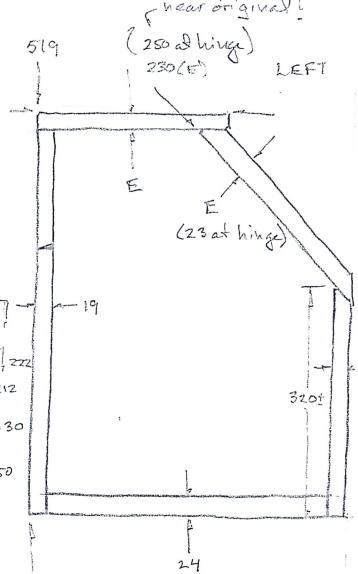
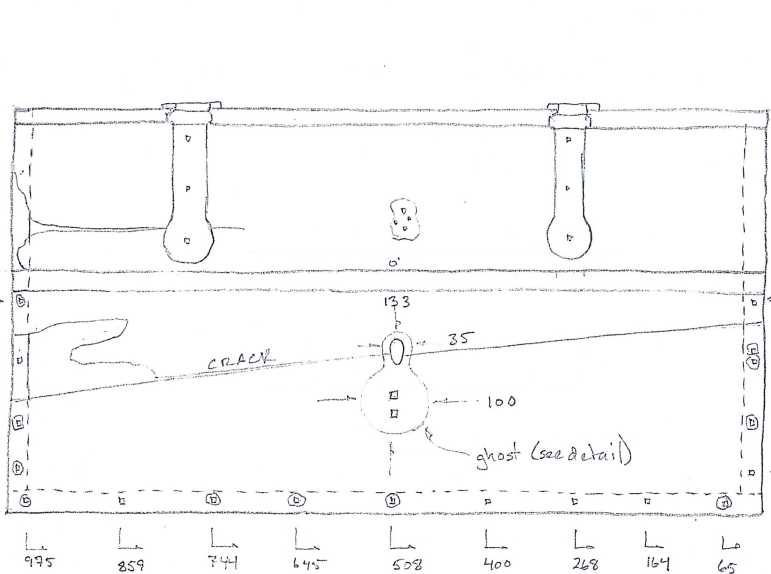
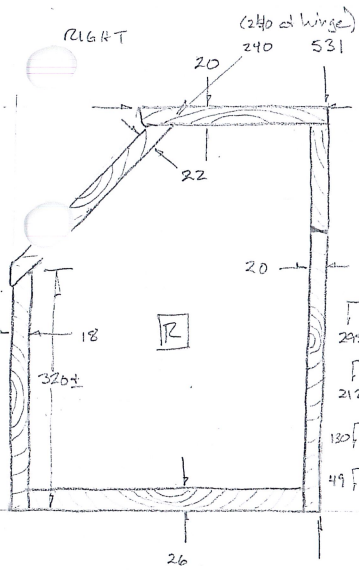
Relaterade fynd/related finds - full of tools + carpenter's personal effects

18479 - candlebox parts, not yet located
18480

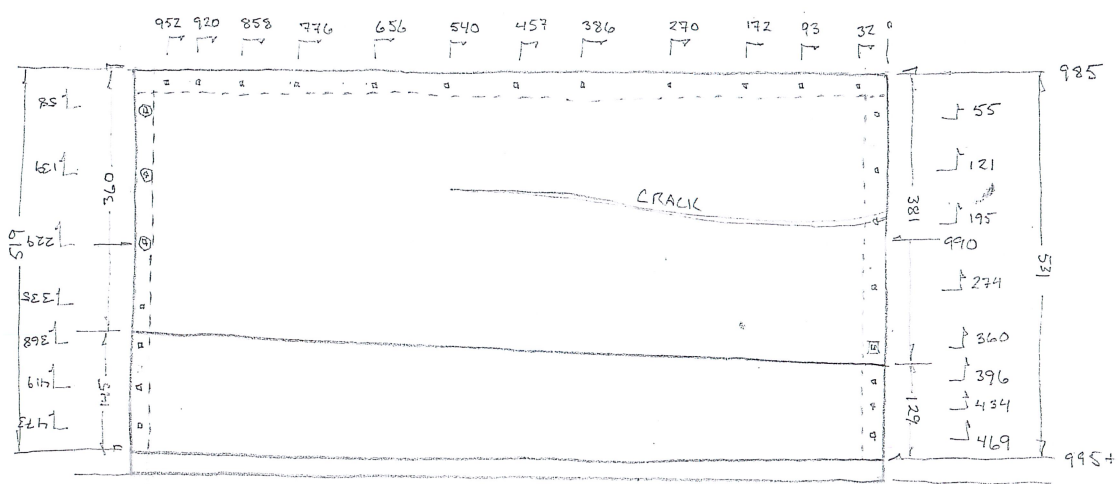
VASA CHESTS
 17958 tool chest
 2 APR 2012 RH



NB: See DRAWING B
 for hardware details

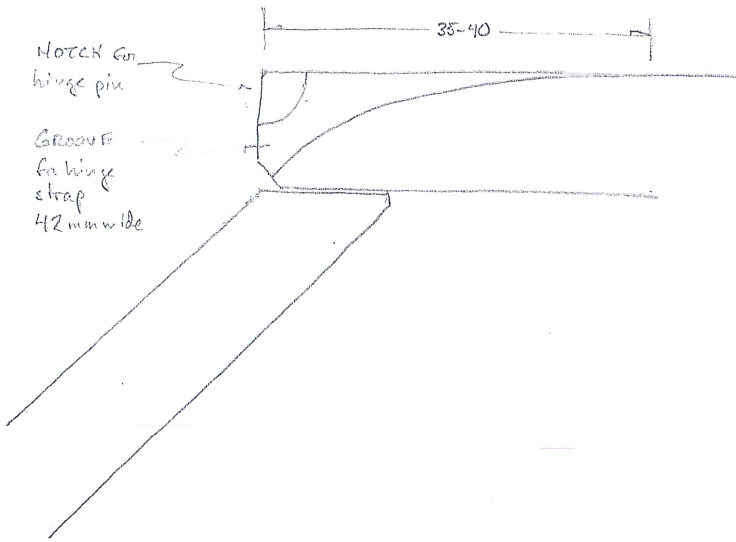


NB:
 Bottom board sawn
 to thickness of
 rough (pit saw)
 other boards planed
 smooth?



DETAILS

HINGES



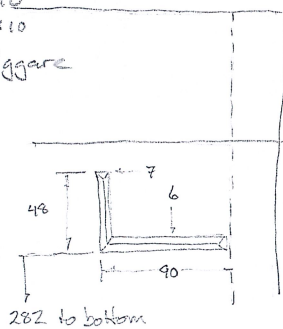
- HINGE arranged so that lid swings out, then up and back to tie on top of chest
- MODERN HINGES lie on top of ghosts, so form a approximate, nail locations in new hinges do not match orig.
- TOP has cleats/backbars for hinge nails on underside, modern reinforcements, no evidence for these

CANDLE BOX

MORTISE INSIDE OF BACK AT RIGHT END

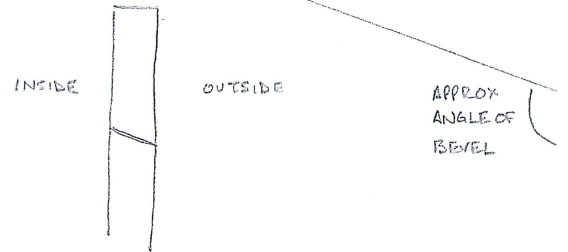
SIDE & BOTTOM LISTED IN MS AS:

18479 - 370 x 65 x 10
 18480 - 370 x 100 x 10
 sketch in fyndliggare



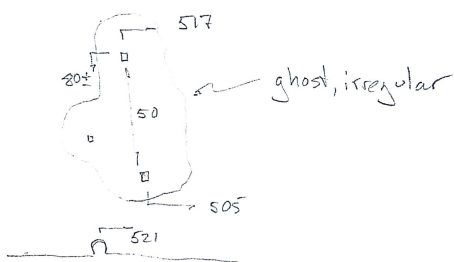
V-section groove

BACK JOINT



LOCK

LID



FRONT

