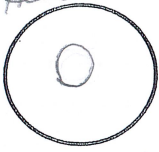
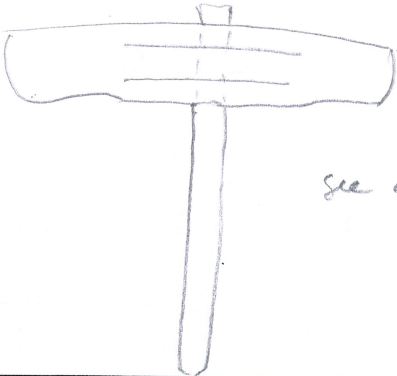
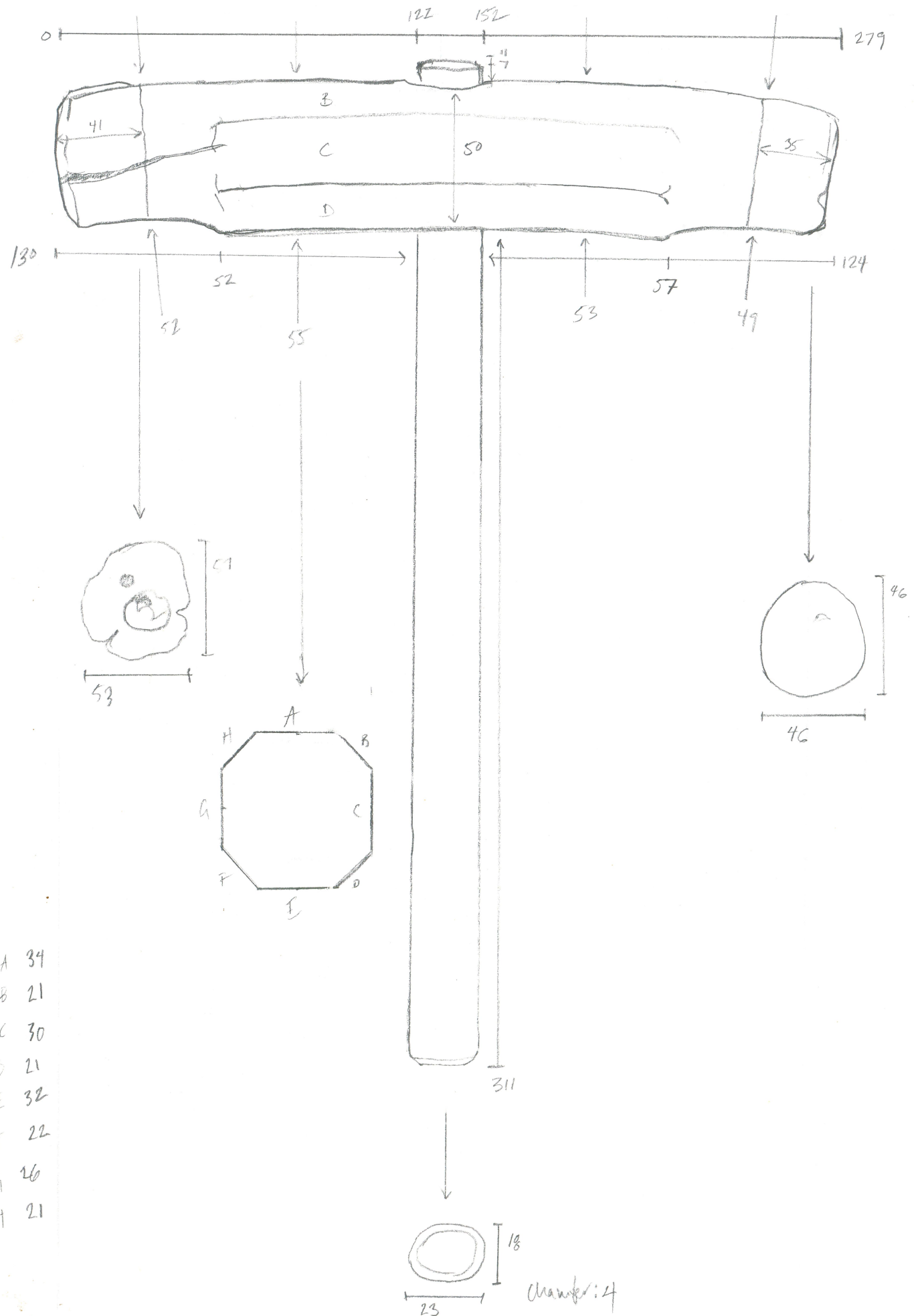


Vasa föremål

Dokumenterad av <i>EA</i>		Datum <i>18 December 2013</i>	Föremål <i>Caulking Mallet</i>		Fyndnummer <i>18459</i>			
Fyndplats/location								
Däck/deck <i>on top</i>		Sida/side <i>starboard</i>		Balk/beam <i>21</i>		Kanonport/gunport		
Material								
Träslag/wood type				Conversion				<i>Head</i> 
Fiberriktning/grain <i>straight</i>								
Skiss								
								<i>see attached</i>
Dimensioner (mm)								
A	B	C	D	E	F	G	H	J
K	L	M	N	P	Q	R	S	T
Skador/damage								
<i>split/blind hole/poss. core sample hole all on one face; split runs ~85mm back on both sides. Handle in excellent condition, still firmly in place. note in DB: Sample taken from pith @ one end in 2012</i>								
Kommentar/comments								
<i>possible handle had been recently replaced - does not display wear one would expect to see when compared to wear on head. still perfectly intact chamfer at end, for ex. ghostly iron rings visible @ ends caulking mallet.</i>								
Association								
Andra delar/other parts								
<i>Handle firmly in place. No wedge visible.</i>								
Relaterade fynd/related finds								
<i>Found in ship's carpenter's chest (17958) in carpenter's store; 18460 also a caulking mallet, based on feet proportions appear to have been made by the same person!</i>								

18459 CHIKING Mallet

SHIP CARPENTER STOOLS
 18459
 18 December 2013
 FA 1/2



- A 34
- B 21
- C 30
- D 21
- E 32
- F 22
- G 26
- H 21

diam: 4

SHIPS CARPENTER STOOLS
18459
18 Dec 2013
E 2/2

